

Vinyl Oval/Round Window New Construction Installation Instructions

New Construction application
with the use of a nailing flange

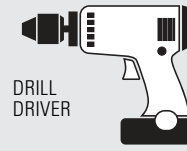
Note: window openings should always be non load-bearing

This installation guide assumes that a framework of studs (often called a buck frame or blocking) has already been properly fastened and sealed to the wall of the opening by a building professional. This type of work is commonly referred to as blocking-up an opening.



NOTE: Inspect this window while unpacking **AND BEFORE** installation to ensure its proper operating condition

REQUIRED TOOLS



DRILL DRIVER



TAPE MEASURE

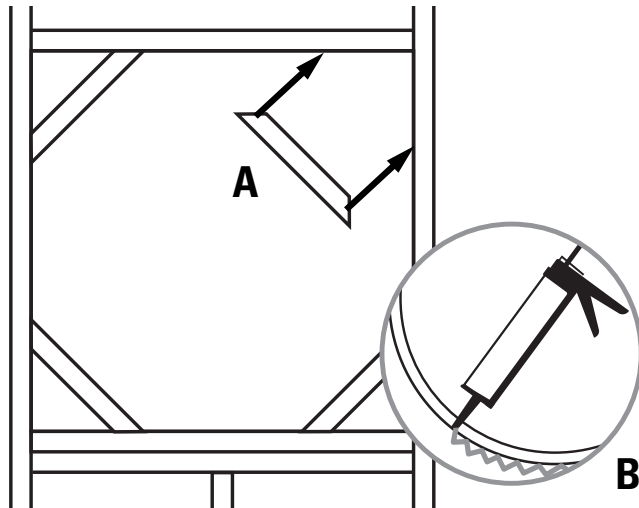
1/4 X 2-1/4" SCREWS FOR MASONRY INSTALLATION (not included)

OR

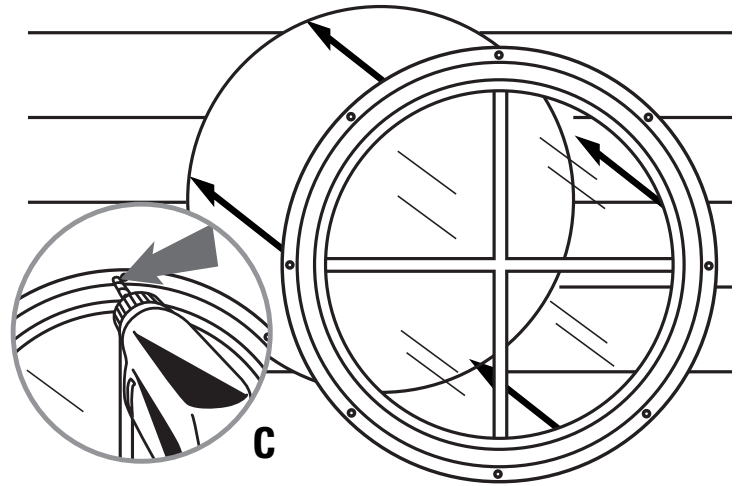
8 X 2" SCREWS FOR WOOD BUCK INSTALLATION (not included)



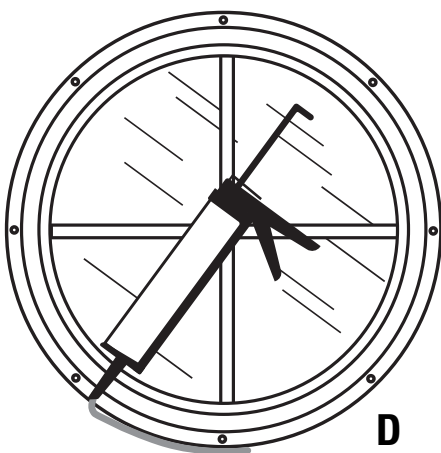
SEALANT (not included)



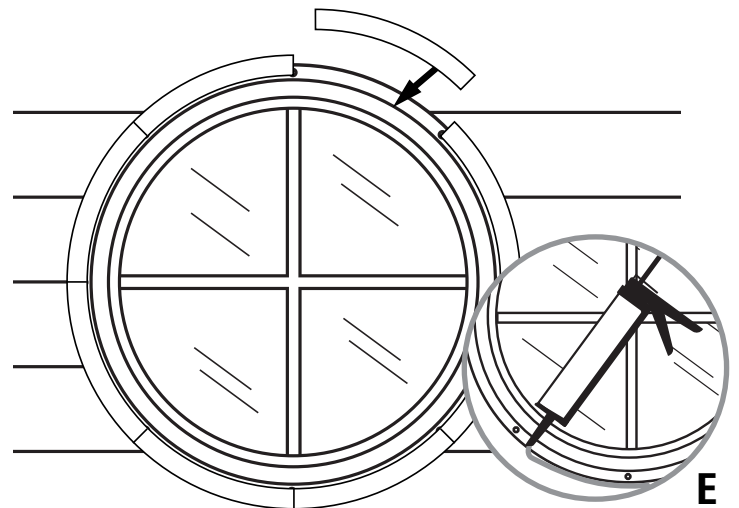
STEP 1. Prepare the rough opening using wood cut at 45° angles at the corners (as shown). Be sure to leave at least 1/4" gap between the rough opening and the frame of your window. **(Fig A)**. Next, apply a bead of caulk (100% silicone window and door caulk) around the window and behind the mounting flange fin. **(Fig B)**



STEP 2. Place the window into the opening and secure it using pan head screws (not provided) through the pre-punched holes on the mounting flange. **(Fig C)**



STEP 3. Before installing the finish siding & trim, apply a bead of sealant, such as Vulkem® or other approved, around the perimeter of the flange **(Fig D)**.



STEP 4. Finish the exterior by butting up your finish siding, brick, stucco or other material to the exterior edge of the main frame of the window. Next, apply a bead of sealant (100% silicone window & door caulk) around the exterior edge of window to seal the seam created between window's exterior frame and your finish trim material **(Fig E)**.

STEP 5. To finish the inside, slide telescopic trim frame away from the interior finished wall, apply an adhesive (such as Liquid Nails®) to the back of the trim ring & secure it to the wall.

Note: there is not an available exterior trim ring due to the variety of uneven finish exterior surfaces such as siding, brick, stucco, etc.

Vinyl Round/Oval Window Replacement Installation Instructions

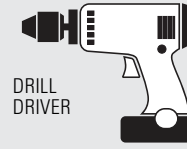
Replacement application without the use of a nailing flange
Note: window openings should always be non load-bearing

This installation guide assumes that a framework of studs (often called a buck frame or blocking) has already been properly fastened and sealed to the wall of the opening by a building professional. This type of work is commonly referred to as blocking-up an opening.



NOTE: Inspect this window while unpacking **AND BEFORE** installation to ensure its proper operating condition

REQUIRED TOOLS



DRILL DRIVER



TAPE MEASURE

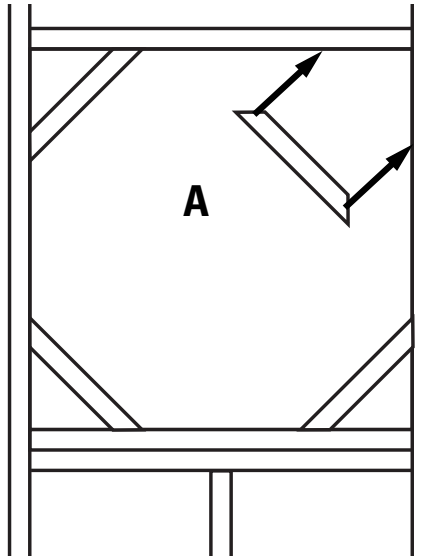
1/4 X 2-1/4" SCREWS FOR MASONRY INSTALLATION (not included)

OR

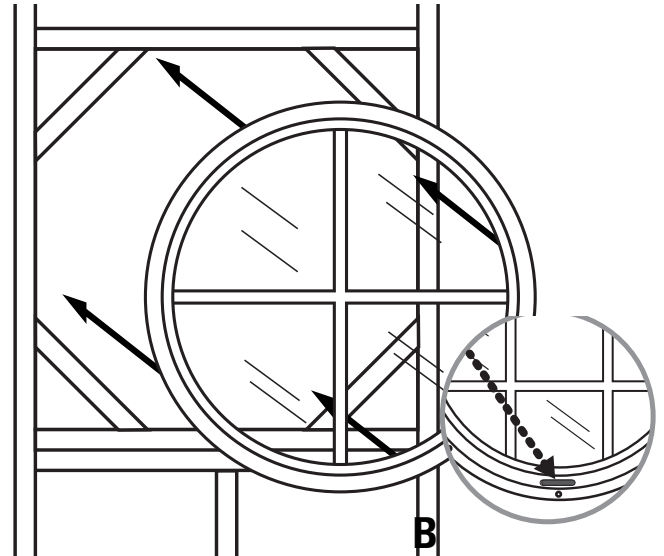
8 X 2" SCREWS FOR WOOD BUCK INSTALLATION (not included)



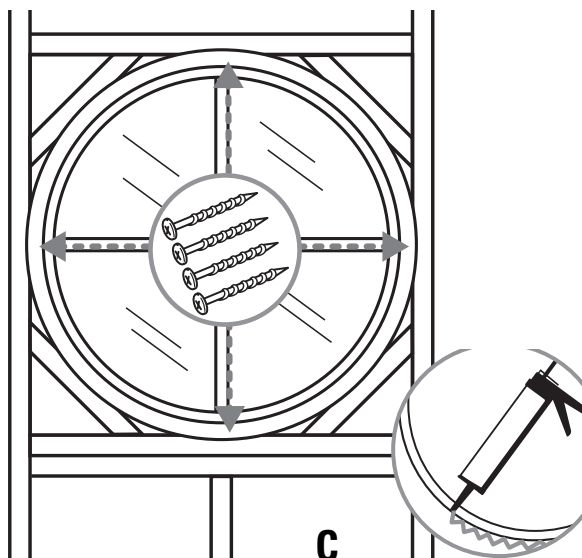
SEALANT (not included)



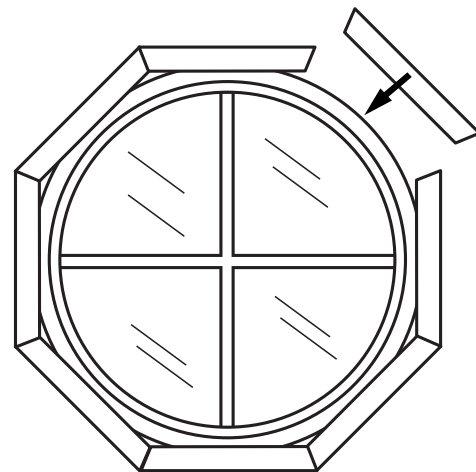
STEP 1. Prepare opening with 45 degree wood pieces at corners. Make sure you have at least 1/4" extra room over the size of your window. (Fig A)



STEP 2. Drop window into opening (Make sure weep slots are to the OUTSIDE and BOTTOM). (Fig B)



STEP 3. Secure window through the main frame on the side of the window with screws. (Fig C)



STEP 4. Finish inside wall as desired