

Insulated Slider Window Installation Instructions

Series #60000

New Construction application with the use of a installation/sealing flange

Note: Sealing flange can be scored and removed if needed



REQUIRED TOOLS

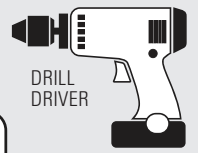


SEALANT
(not included)

1/4 X 2-1/4" SCREWS FOR
MASONRY INSTALLATION
(not included)

OR

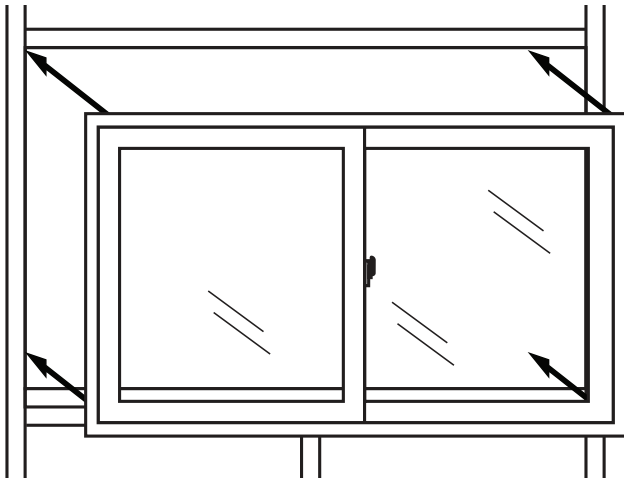
8 X 2" SCREWS FOR
WOOD BUCK INSTALLATION
(not included)



DRILL
DRIVER

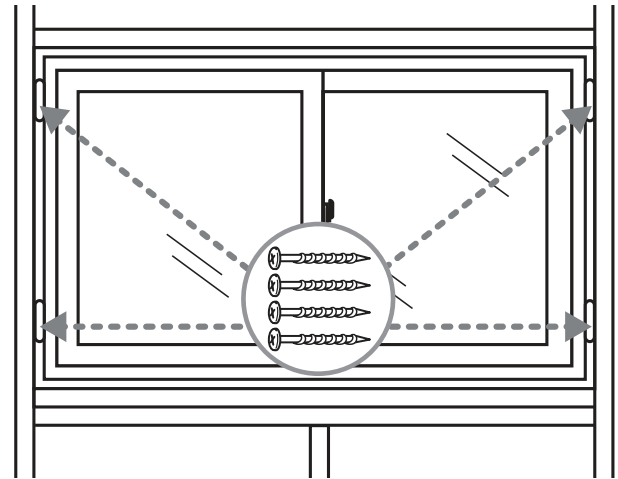


TAPE MEASURE

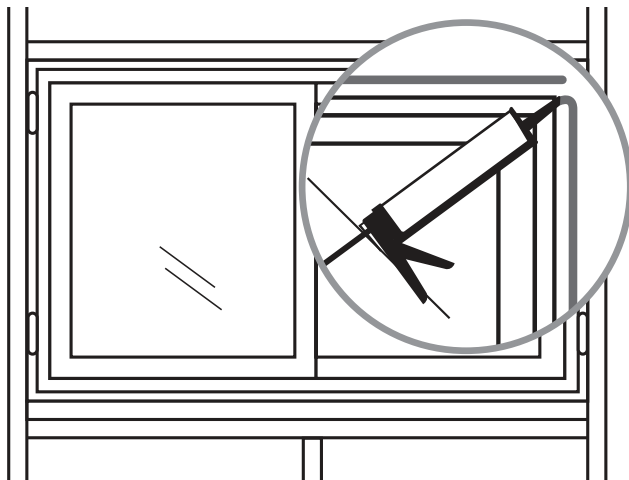


STEP 1. Center window in the opening. **Make sure that the sash lock is positioned to the INSIDE of the structure.**

Note: In tight installation applications the screen can be removed from the window before installation for easier access to the pre-drilled installation screw holes

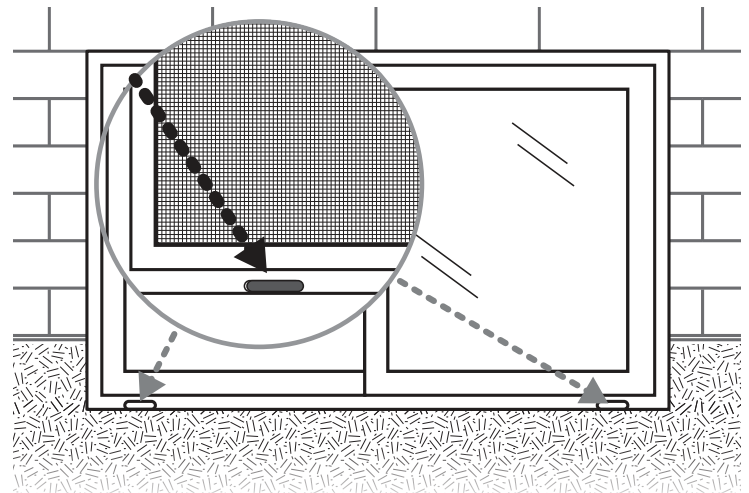


STEP 2. Secure window using 2-1/4" screws fastened through the pre-punched installation holes located on the side walls (as shown above).



STEP 3. Fill the gaps, interior, exterior and around the perimeter of the window between the mainframe and wall with an approved polyurethane based sealant such as Vulkem® or 100% silicone window and door caulk.

Caution, over use of expansion foam can make the window too tight in the opening and can negatively impact the operation of the window.



STEP 4. To insure proper water drainage keep weep holes clear and free from obstruction (see above).

Fit the screen back into the window if it was removed prior to installation. Trim and finish the interior and exterior as desired.

Primary Slider Window Installation Instructions

New Construction application with the use of a installation/sealing flange
Note: Sealing flange can be scored and removed if needed



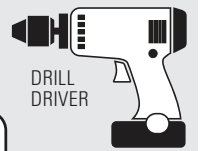
REQUIRED TOOLS



1/4 X 2-1/4" SCREWS FOR
MASONRY INSTALLATION
(not included)

OR

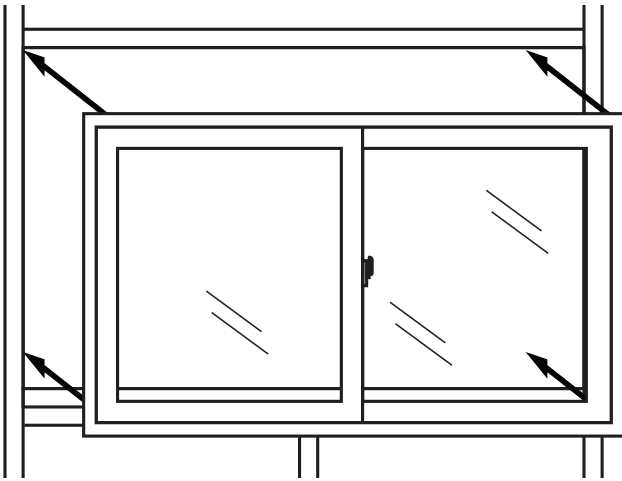
8 X 2" SCREWS FOR
WOOD BUCK INSTALLATION
(not included)



DRILL
DRIVER

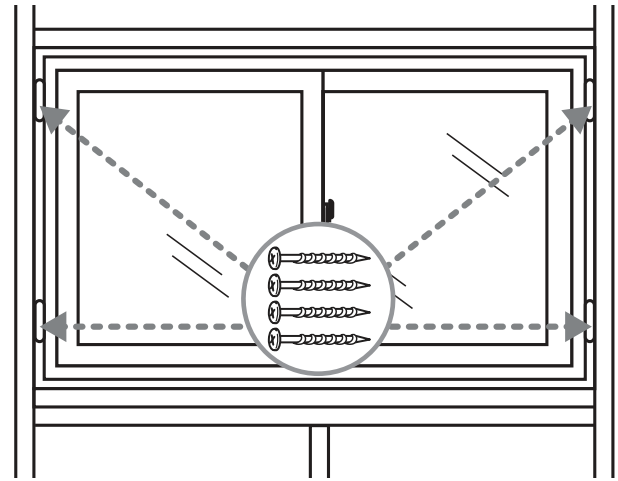


TAPE MEASURE

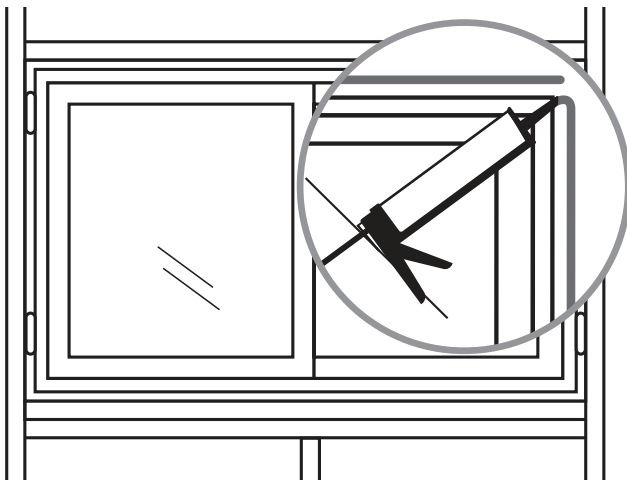


STEP 1. Center window in the opening. **Make sure that the sash lock is positioned to the INSIDE of the structure.**

Note: In tight installation applications the screen can be removed from the window before installation for easier access to the pre-drilled installation screw holes

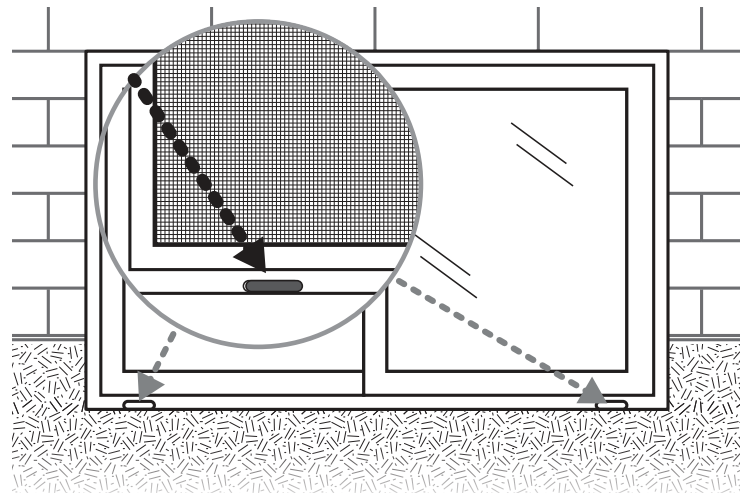


STEP 2. Secure window using 2-1/4" screws fastened through the pre-punched installation holes located on the side walls (as shown above).



STEP 3. Fill the gaps, interior, exterior and around the perimeter of the window between the mainframe and wall with an approved polyurethane based sealant such as Vulkem® or 100% silicone window and door caulk.

Caution, over use of expansion foam can make the window too tight in the opening and can negatively impact the operation of the window.



STEP 4. To insure proper water drainage keep weep holes clear and free from obstruction (see above).

Fit the screen back into the window if it was removed prior to installation. Trim and finish the interior and exterior as desired.

Insulated Slider Window Installation Instructions

Series #60005

New Construction application with the use of a installation/sealing flange

Note: Sealing flange can be scored and removed if needed



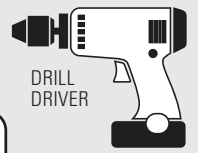
REQUIRED TOOLS



1/4 X 2-1/4" SCREWS FOR MASONRY INSTALLATION (not included)

OR

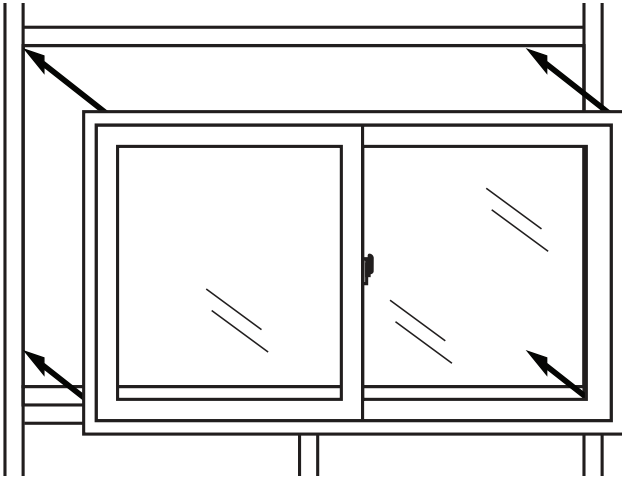
8 X 2" SCREWS FOR WOOD BUCK INSTALLATION (not included)



DRILL DRIVER

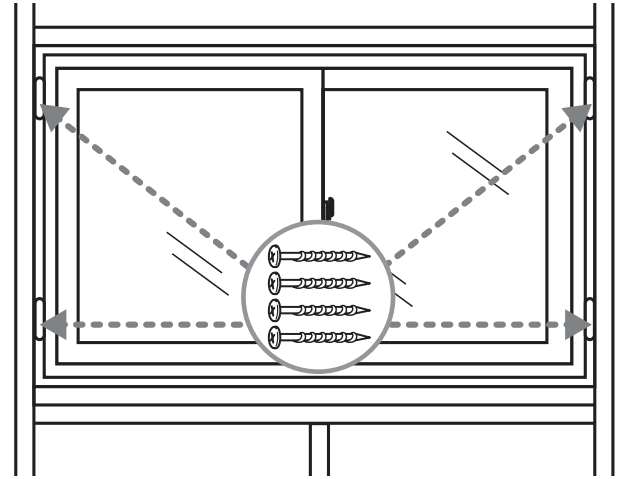


TAPE MEASURE

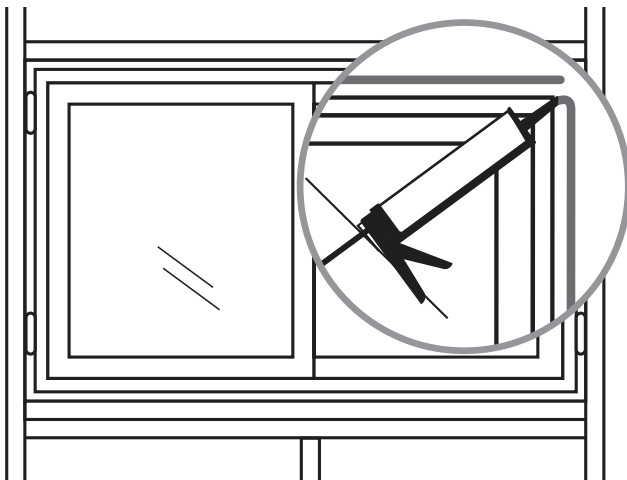


STEP 1. Center window in the opening. **Make sure that the sash lock is positioned to the INSIDE of the structure.**

Note: In tight installation applications the screen can be removed from the window before installation for easier access to the pre-drilled installation screw holes

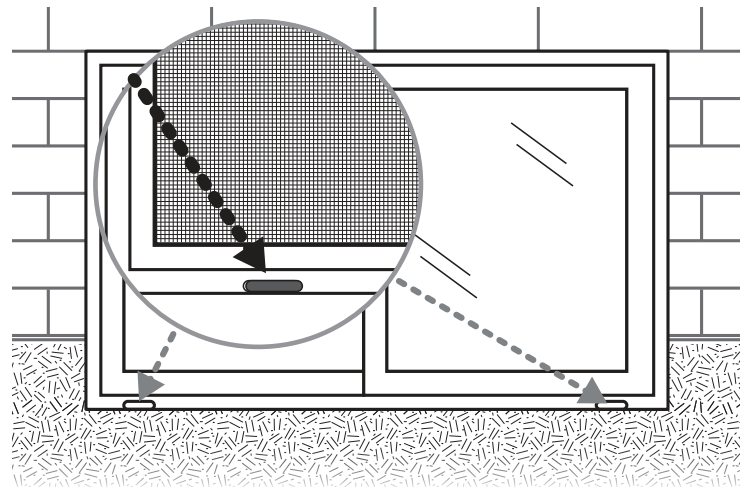


STEP 2. Secure window using 2-1/4" screws fastened through the pre-punched installation holes located on the side walls (as shown above).



STEP 3. Fill the gaps, interior, exterior and around the perimeter of the window between the mainframe and wall with an approved polyurethane based sealant such as Vulkem® or 100% silicone window and door caulk.

Caution, over use of expansion foam can make the window too tight in the opening and can negatively impact the operation of the window.



STEP 4. To insure proper water drainage keep weep holes clear and free from obstruction (see above).

Fit the screen back into the window if it was removed prior to installation. Trim and finish the interior and exterior as desired.