

Mobile Home Window Installation Instructions

Replacement/New Construction application with the use of a nailing flange

Note: window openings should always be non load-bearing

If necessary, remove the old window from the opening and clear any obstructions that would hinder the installation of the new window. The new window must have clean outside mounting surface in order for the installation flange to seal properly (See Figure 1).

NOTE: #8 fasteners (aluminum pan head screws) with a minimum length 1" are recommend. Fasteners **MUST** be attached to structurally sound member of the wall (fasteners are not included).

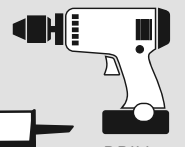


REQUIRED TOOLS

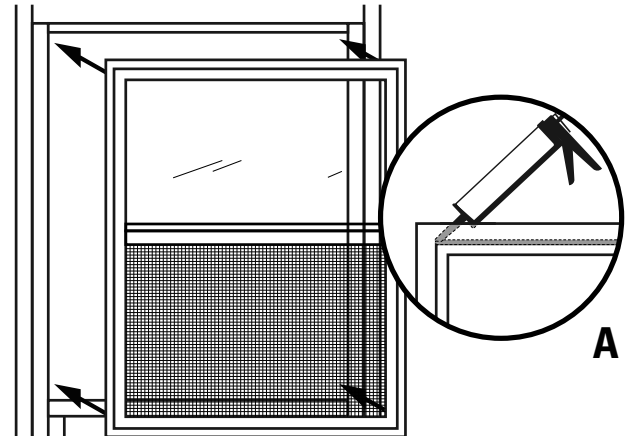
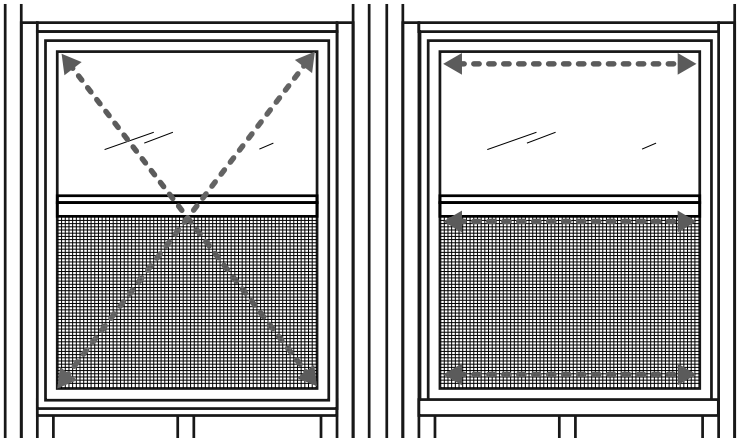
ALUMINUM PAN HEAD SCREWS

TAPE MEASURE

SEALANT

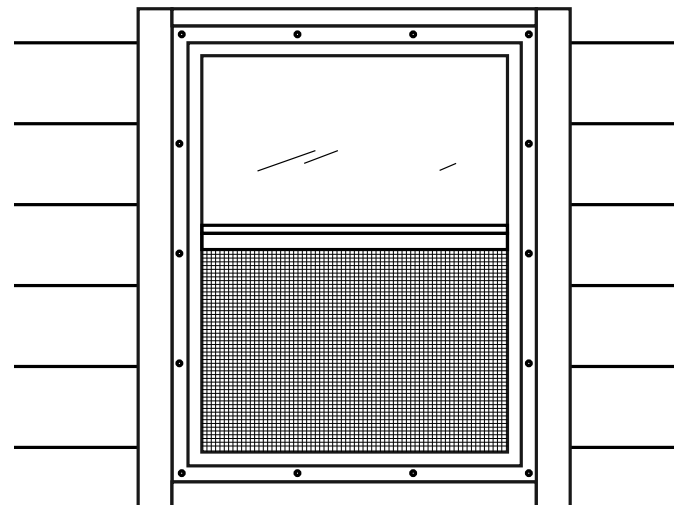
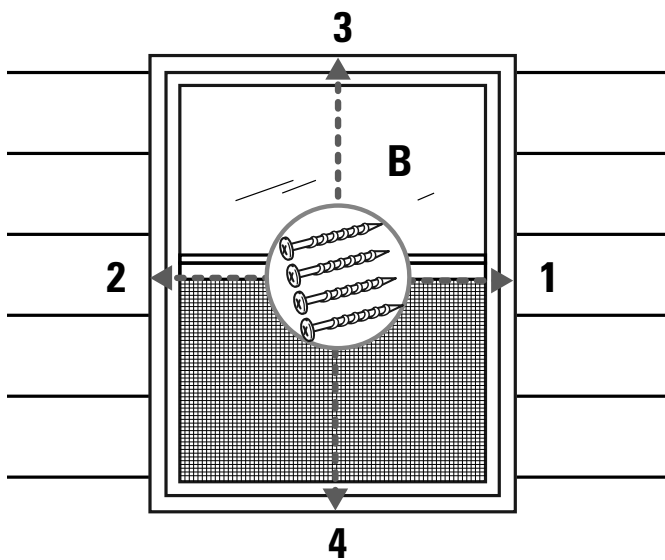


DRILL DRIVER



STEP 1. Dry fit the window before installation. From the outside of the home, place the new window in the opening, making sure that the window is square in the opening and that the installation flange covers the window opening by at least $\frac{1}{2}$ " on all sides. The window rough opening **MUST BE** 1" smaller than the installation flange ($\frac{1}{2}$ " on all sides). The opening must be large enough so as not to interfere with the back of the window frame once the window is inserted into the rough opening.

STEP 2. Apply a thick bead of sealant or putty tape to the back side of the installation flange (See Fig. A). From the outside, place the window into the rough opening with the sill resting on the bottom edge. Adjust the window in the opening so that it is level and plumb.



STEP 3. While holding the window flat in the opening screw the first fastener through the installation flange (#1 See Fig B). Install fasteners #2, #3 & #4. Check the window for proper operation before more fasteners are used. The window should operate smoothly. Continue installing fastener screws, progressing out towards the corners, until the window is completely secured. Again, check the window for proper operation.

STEP 4. Finish the window according to your specifications making sure **NOT** to cover the face flange with any finish material.