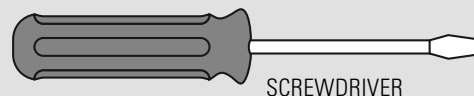


Jalousie Window Care, Maintenance & Operator Replacement Instructions

This installation guide assumes that the jalousie window has been removed. For information to remove the window, contact us.

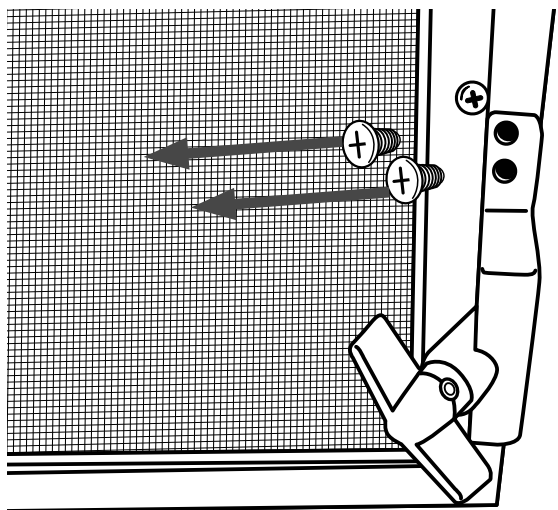


REQUIRED TOOLS

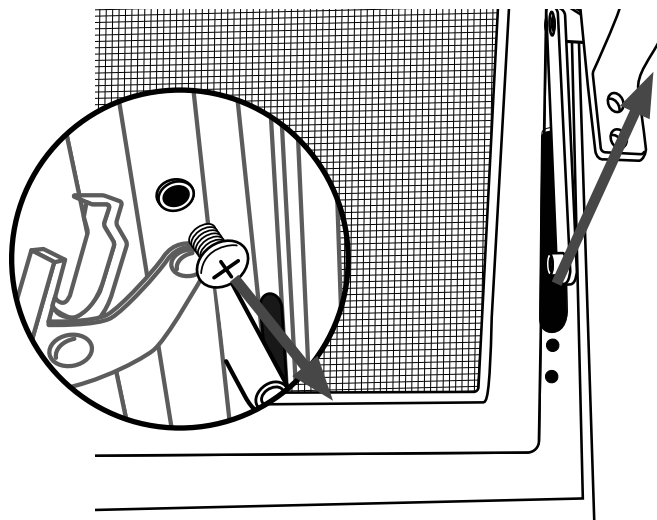


SCREWDRIVER

Remove the Old Operator

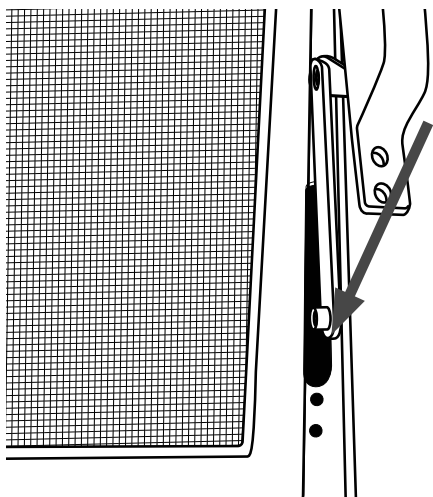


STEP 1. Open the jalousie window half way. Remove the screws that hold the existing operator in place.

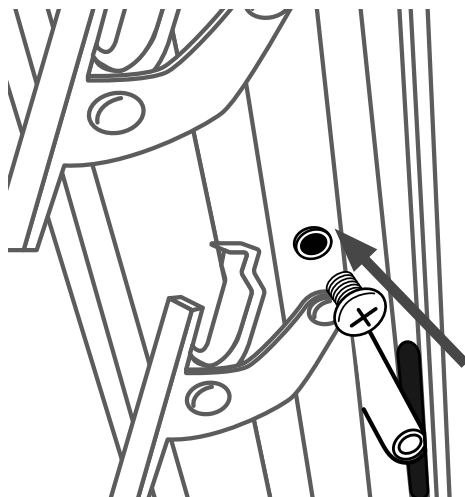


STEP 2. Release the actuator arm from the tilt bar by unscrewing the set screw as shown above.

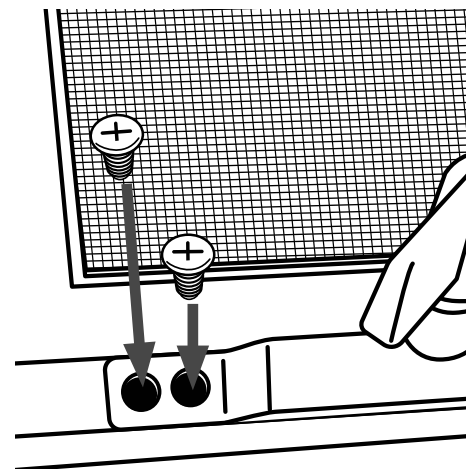
Install the New Operator



STEP 1. Unscrew the set screw and insert the actuator arm bar through the opening as shown.



STEP 2. Re-attach the actuator arm to the tilt bar by aligning the actuator arm with the pre-punched hole located on the tilt bar. Secure the actuator arm by re-fastening the set screw as shown above.



STEP 3. Screw the operator back to the frame of the window

Jalousie Window Care and Maintenance

These simple periodic maintenance steps will keep your Tafco Jalousie Windows functioning like new for years to come!

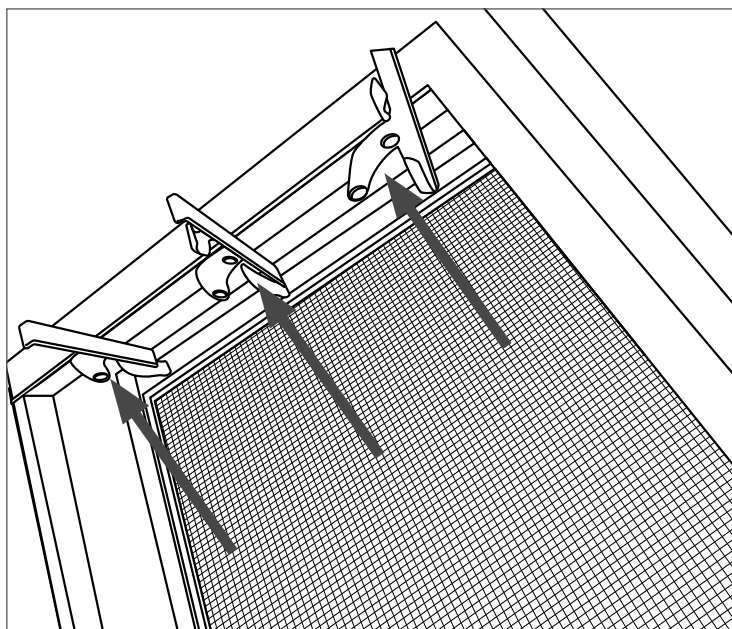


REQUIRED TOOLS

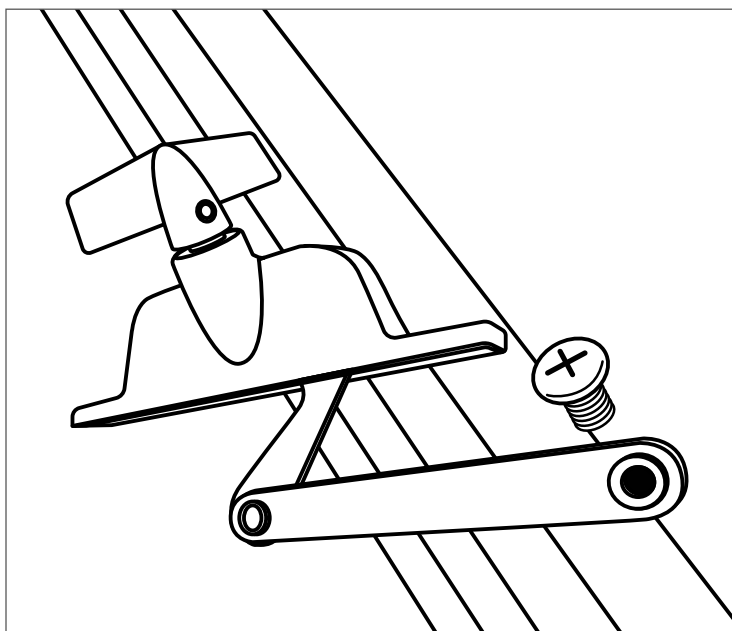


SILICONE
LUBRICANT

Maintain Your Windows



STEP 1. To keep jalousie windows working smoothly, periodically clean out dirt and debris from the track and pivots with compressed air or a vacuum.



STEP 2. Occasionally spray all moving parts with a silicone lubricant.