

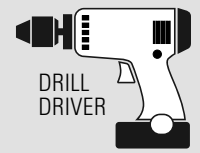
Fixed Window Sash Installation Instructions

Replacement/New Construction application

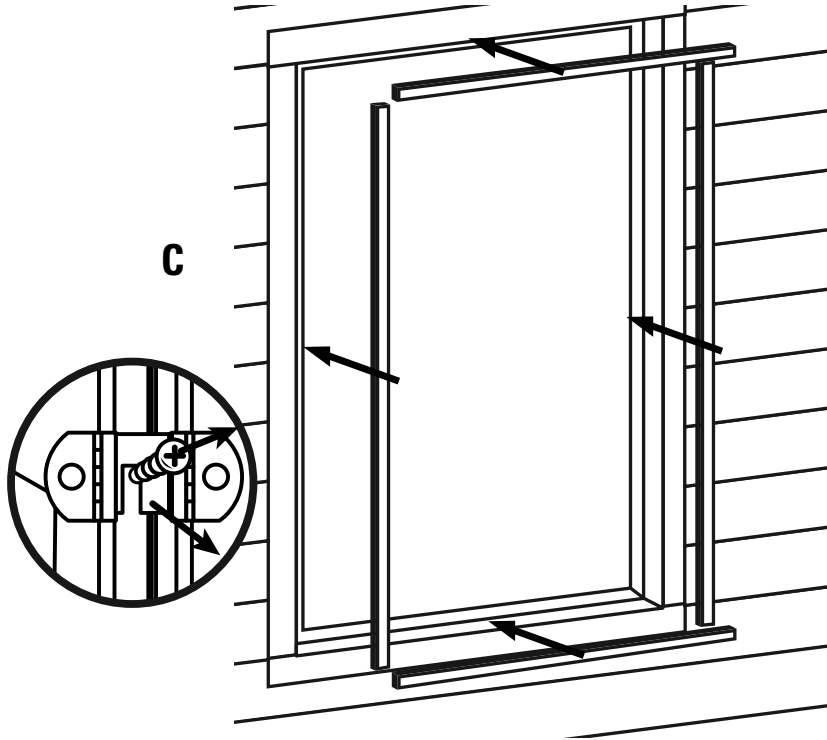
Note: This window is decorative and the individual panes of glass are **NOT** weather sealed.



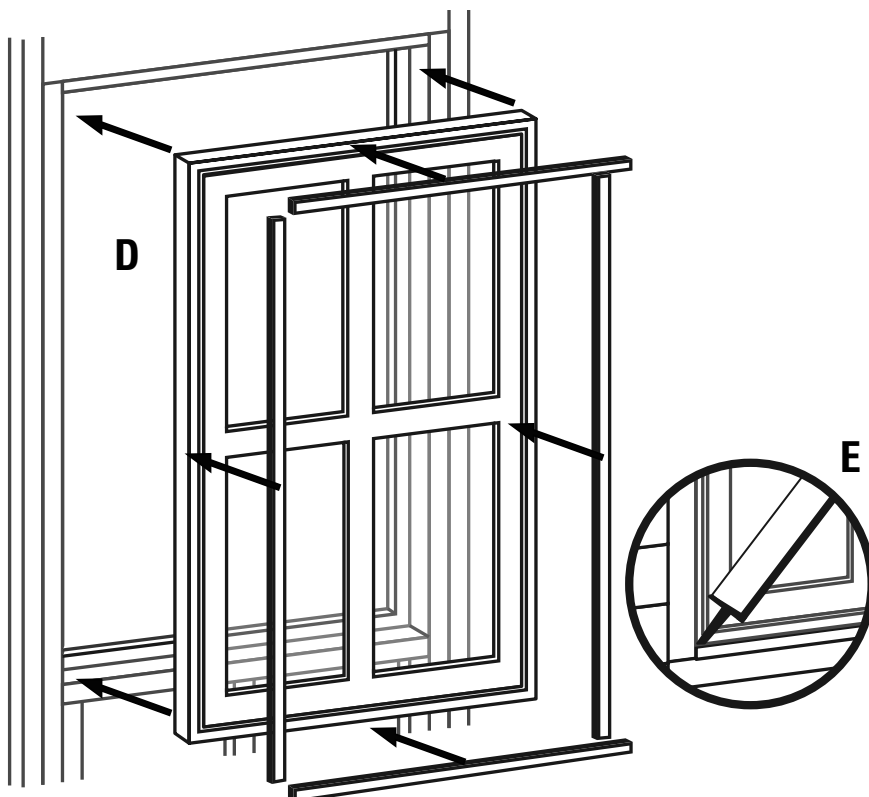
REQUIRED TOOLS



INSTALLATION WITH WINDOW STOPS



STEP 1. If you are not using the pre-installed installation clips simply loosen the set screws, slide the clips out from the side channels and then refasten the set screws. Next, install four 1" x 1/2" stops (strips) towards the outside of the window rough opening frame walls (see fig C).



STEP 2A. Place the utility fixed window sash in the rough opening. Then install a series of interior stops tightly against the sash wedging the window into place (See fig. D). Finally, seal around the inside and the outside of the window with an approved polyurethane based sealant such as Vulkem® or 100% silicone window and door caulk. Trim the interior and exterior of the window according to your specifications. (See fig. E).